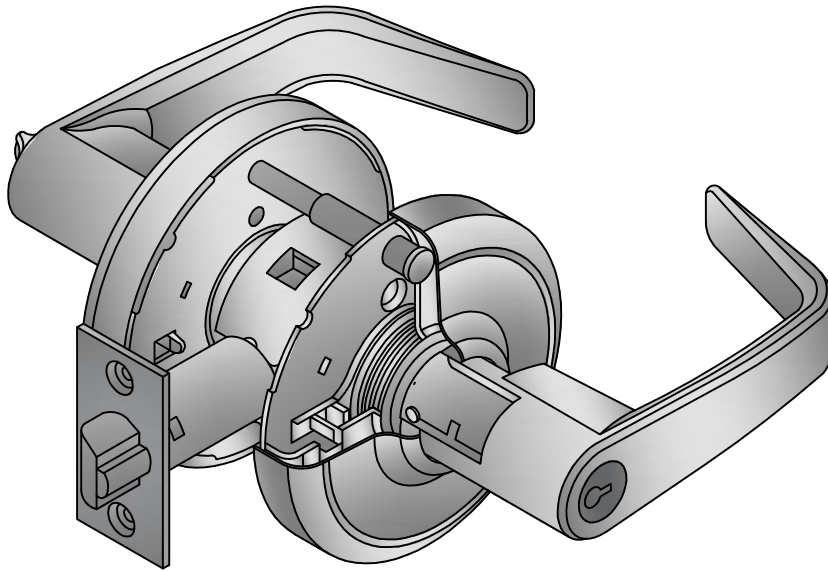
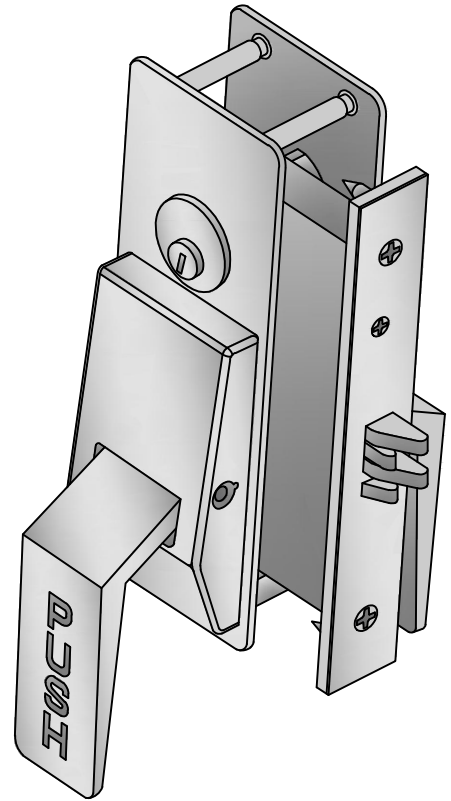


RAY-BAR LEAD LINED LOCKSET SHIELDING

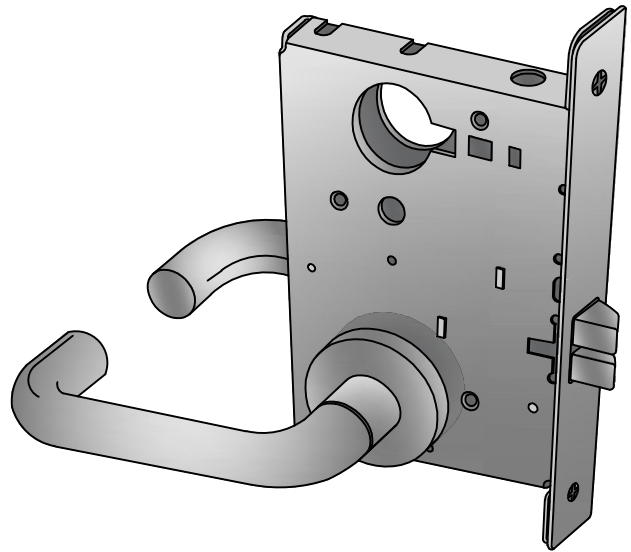
CYLINDRICAL LEVER LOCKSET



PUSH / PULL LATCHSET



MORTISED LEVER LOCKSET



AVAILABLE LEAD SHIELDING VALUES

1#	1/64"	.0156"	0.4mm
2#	1/32"	.0312"	0.8mm
2-1/2#	5/128"	.039"	1.0mm
3#	3/64"	.046"	1.2mm
4#	1/16"	.0625"	1.6mm
5#	5/64"	.078"	2.0mm
6#	3/32"	.094"	2.4mm
8#	1/8"	.125"	3.2mm

- RAY-BAR SHEET LEAD LINING IS 99.9% PURITY
- ALL LEAD LINING MEETS QQ-L-201F GRADE C
- ALL LEAD LINING MEETS ASTM B749-03 TYPE L51121
- SHIELDING METHODS MEET NCRP #49 & 147
- TYPICALLY AVAILABLE 1 WORKDAY AFTER RECEIVING LOCKSET

Terms of Use: Certain designs and concepts are the exclusive proprietary property and work product of Ray-Bar Engineering provided in good faith as a courtesy for the architectural design of projects specifying, incorporating and utilizing genuine Ray-Bar products and assemblies. Ray-Bar designs are not to be copied, altered, plagiarized or utilized in any competitive or detrimental manner against Ray-Bar as protected by law and/or copyrights. "All Rights Reserved"



JOB NAME:
 LOCATION:
 ROOM NUMBER:
 SHEET ____ OF ____:

RAY-BAR LEAD LINED LOCKSETS

RAY-BAR ENGINEERING CORP.

Toll Free: 1(800) 444-XRAY / 1(800) 444-9729
 Telephone: (626) 969-1818
 24 Hour Fax: 1(800) 333-XRAY /
 1(800) 333-9729
 website: www.raybar.com

SCALE
 NTS

RAY-BAR
 LEAD LINED
 LOCKSETS