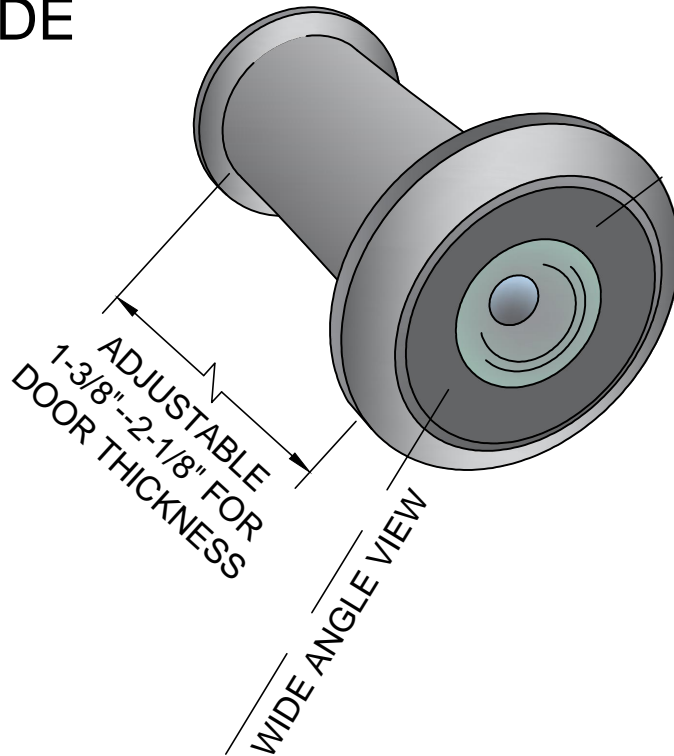


RAY-BAR SHIELDED MINI-VIEWPORT

MEDICAL X-RAY IMAGING 180 WIDE PANORAMIC VIEW PEEPHOLE

TECHNICIAN
CONTROL
SIDE



1" FISHEYE LENS PROVIDES
180° CLEAR VIEW

X-RAY
IMAGING
SIDE

- FOR DENTAL, CHIROPRACTIC OR GENERAL PRACTICE X-RAY DIAGNOSTIC IMAGING
- PROVIDES 1.6mm / 4# / 1/16" LEAD SHIELDING RADIATION EQUIVALENCY @ 150 kVp
- INSTALLS EASY IN MINUTES INTO 9/16" DRILLED HOLE IN SHIELDED DOORS
- ADJUSTS FROM 1-3/8" --2-1/8" THICK SHIELDED WOOD OR METAL DOORS
- PROVIDES EXTRA WIDE 180 DEGREE PANORAMIC VIEW OF X-RAY ROOM
- UL LISTED AS 45 MINUTE FOR USE IN FIRE RATED DOORS
- AVAILABLE GOOD IN STOCK READY TO SHIP IN ONLY 2 BUSINESS DAYS

Terms of Use: Certain designs and concepts are the exclusive proprietary property and work product of Ray-Bar Engineering provided in good faith as a courtesy for the architectural design of projects specifying, incorporating and utilizing genuine Ray-Bar products and assemblies. Ray-Bar designs are not to be copied, altered, plagiarized or utilized in any competitive or detrimental manner against Ray-Bar as protected by law and/or copyrights. "All Rights Reserved"



| | |
|---------------------|--|
| JOB NAME: | |
| LOCATION: | |
| ROOM NUMBER: | |
| SHEET ____ OF ____: | |

RAY-BAR SHIELDED MINI-VIEWPORT

RAY-BAR ENGINEERING CORP.

Toll Free: 1(800) 444-XRAY / 1(800) 444-9729
 Telephone: (626) 969-1818
 24 Hour Fax: 1(800) 333-XRAY /
 1(800) 333-9729

WWW.RAYBAR.COM

SCALE
NTS
SHIELDED
MINI
VIEWPORT